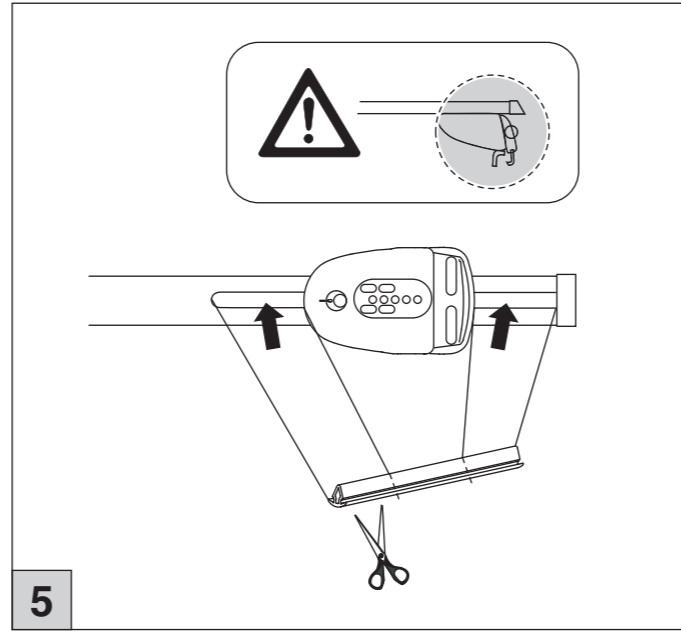
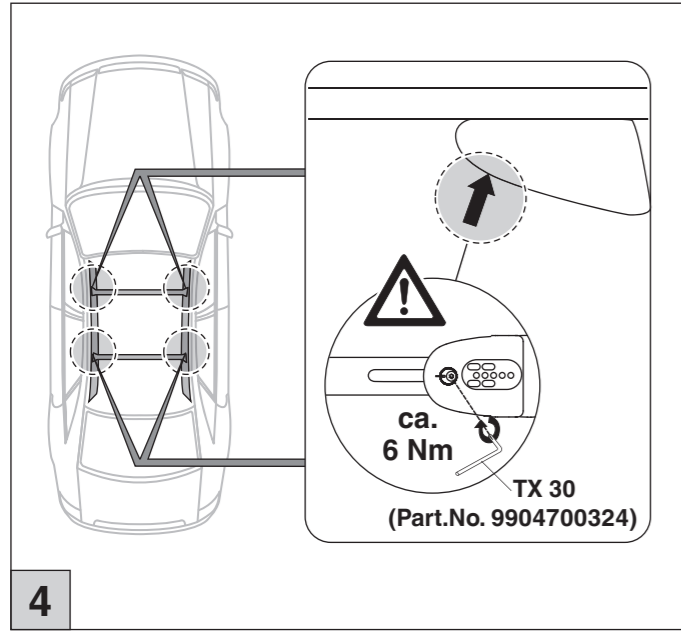


Atera SIGNO

Jaguar XF Sportbrake Reling 09/2017–
Jaguar E-Pace Reling 01/2018–

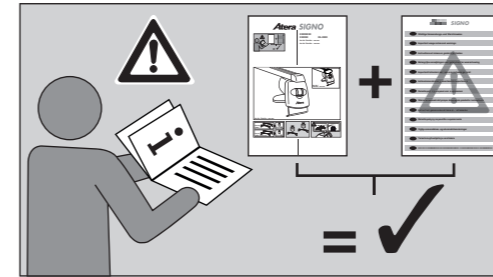


nur bei Art.Nr.: 047 360
only for part no.: 047 360

A- 9919700163
B- 9945700223
C1- 8828700062
C2- 8828700063

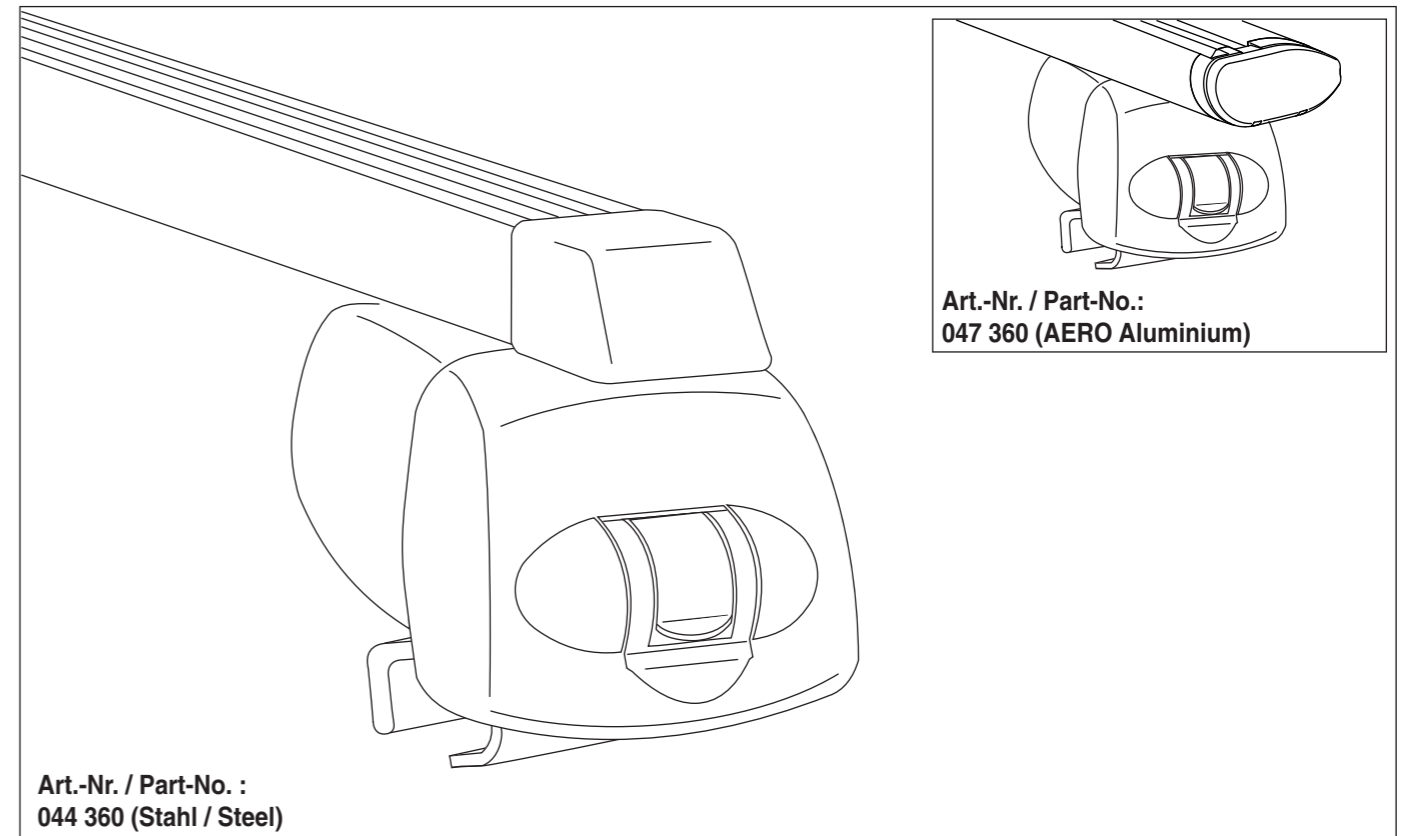
1- 9945700092
2- 9919700143
3- 9945700105
4- 9912700051
5a- 9918700526
5b- 9918700527
6- 9923700009
7- 9918700250
8- 9918700249
9- 9904700466
10- 9912700086
11- 9910700004
12- 9908700231
13- 9908700209
14- 9918700228
15- 9918700246
16- 9917700010
17- 9918700588
18- 9918700245
19- 9910700004
20- 9908700375
21- 9918700247
22a- 9949700490
22b- 9949700490
22c- 9949700490
22d- 9949700490

Atera SIGNO



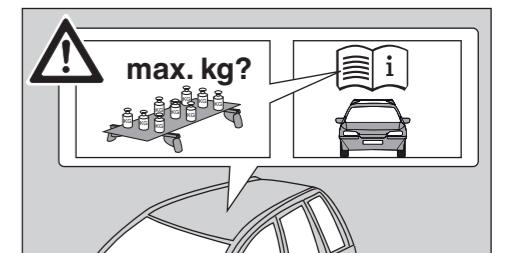
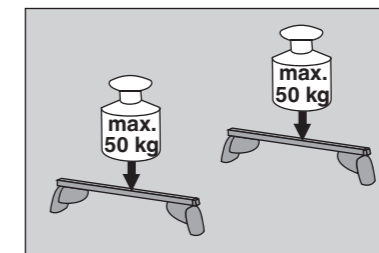
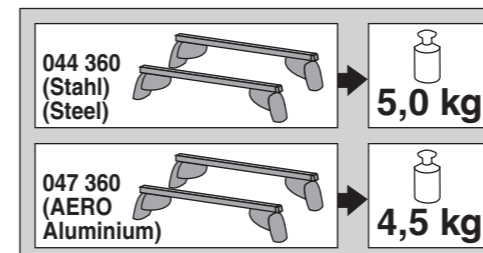
Jaguar
XF Sportbrake 09/2017–
(mit Reling / with rail / avec rails de toit)
E-Pace 01/2018–
(mit Reling / with rail / avec rails de toit)

Art.-Nr. / Part-No.: 044 360
Art.-Nr. / Part-No.: 047 360



Art.-Nr. / Part-No.:
047 360 (AERO Aluminium)

Art.-Nr. / Part-No. :
044 360 (Stahl / Steel)



Atera
MADE IN GERMANY

Atera GmbH
Im Herrach 1
D-88299 Leutkirch
Internet: www.atera.de



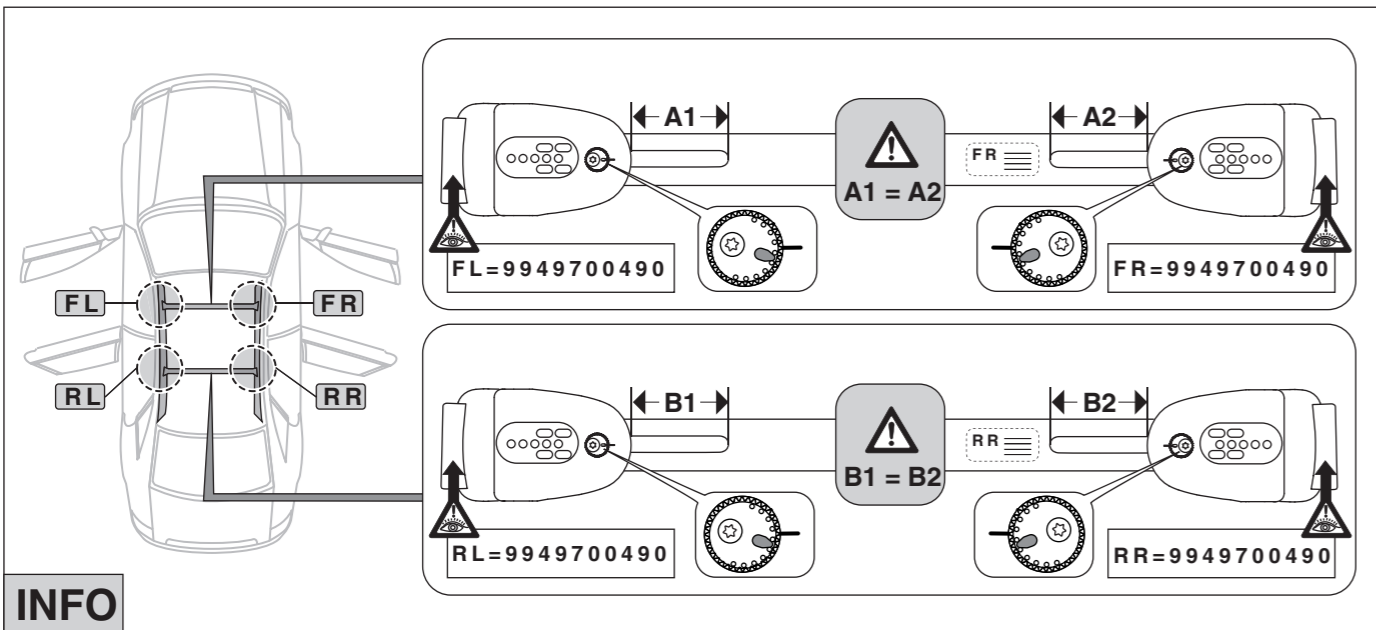
© ATERA GmbH
Ref.-Nr.: 044 360_096594436000_992570050200
Ref.-Nr.: 047 360_096594736000_992570050200
Stand/State: 22/03/2018 – Rev 00 Ver 00

Atera SIGNO

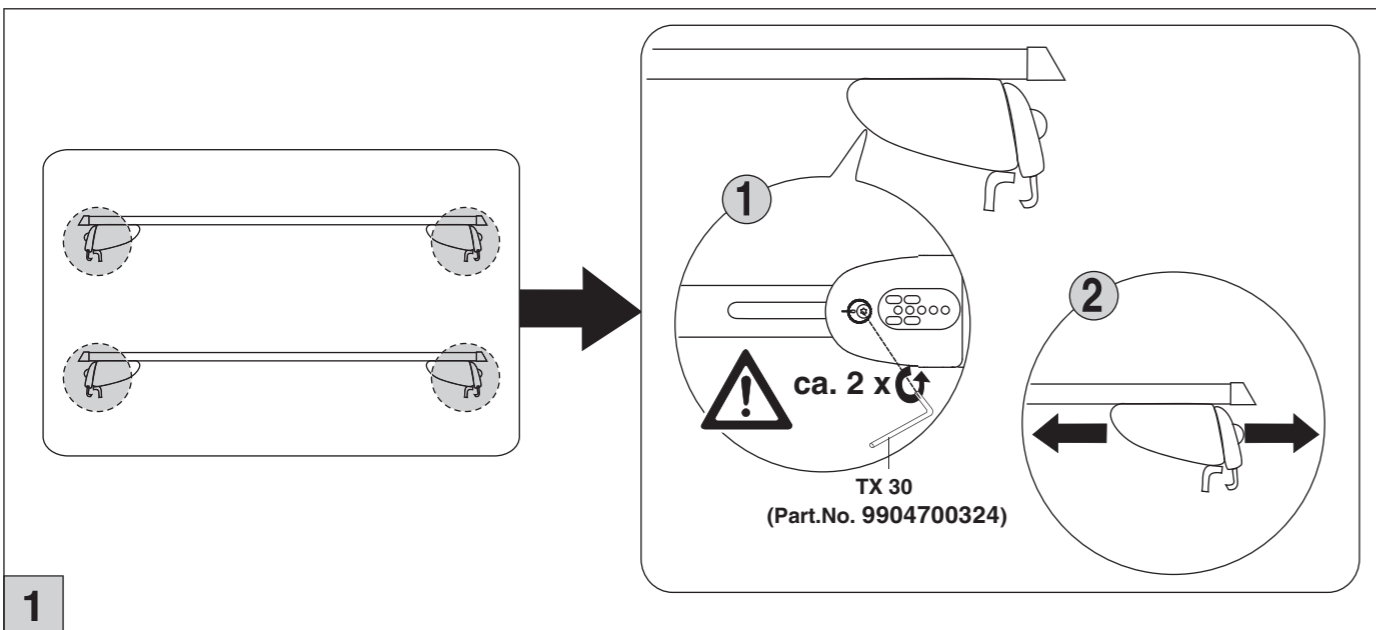
Jaguar XF Sportbrake Reling 09/2017–
Jaguar E-Pace Reling 01/2018–

Atera SIGNO

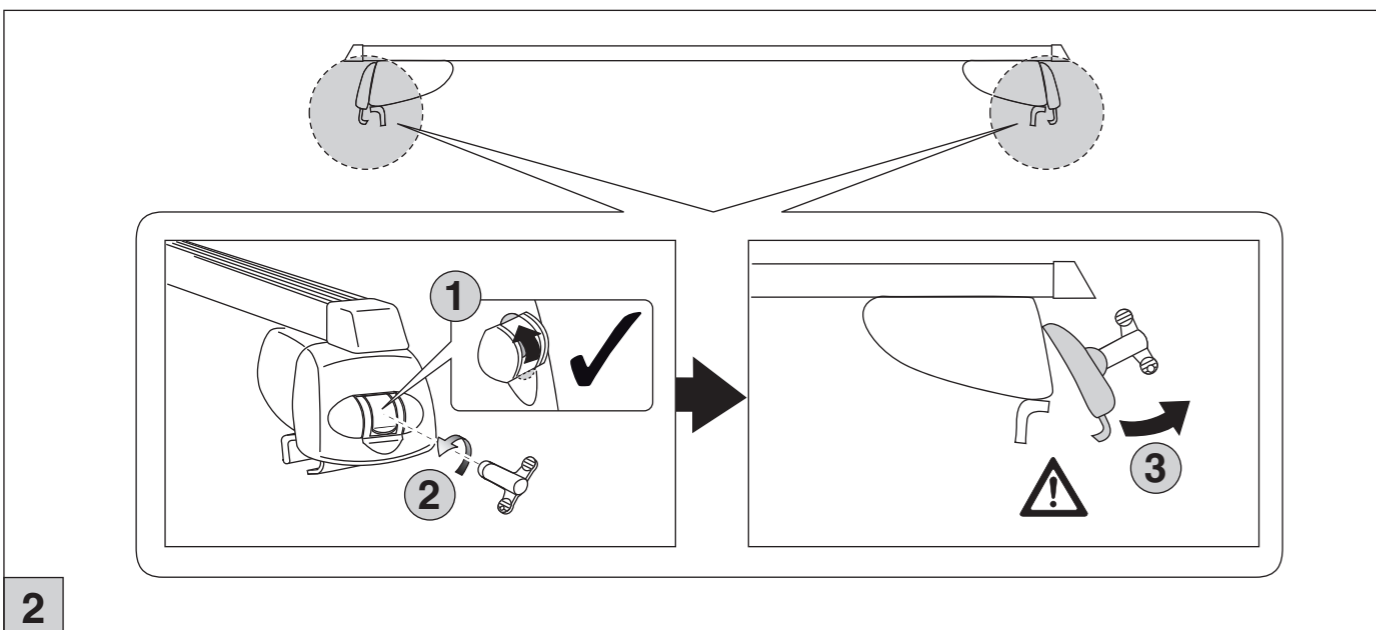
Jaguar XF Sportbrake Reling 09/2017–
Jaguar E-Pace Reling 01/2018–



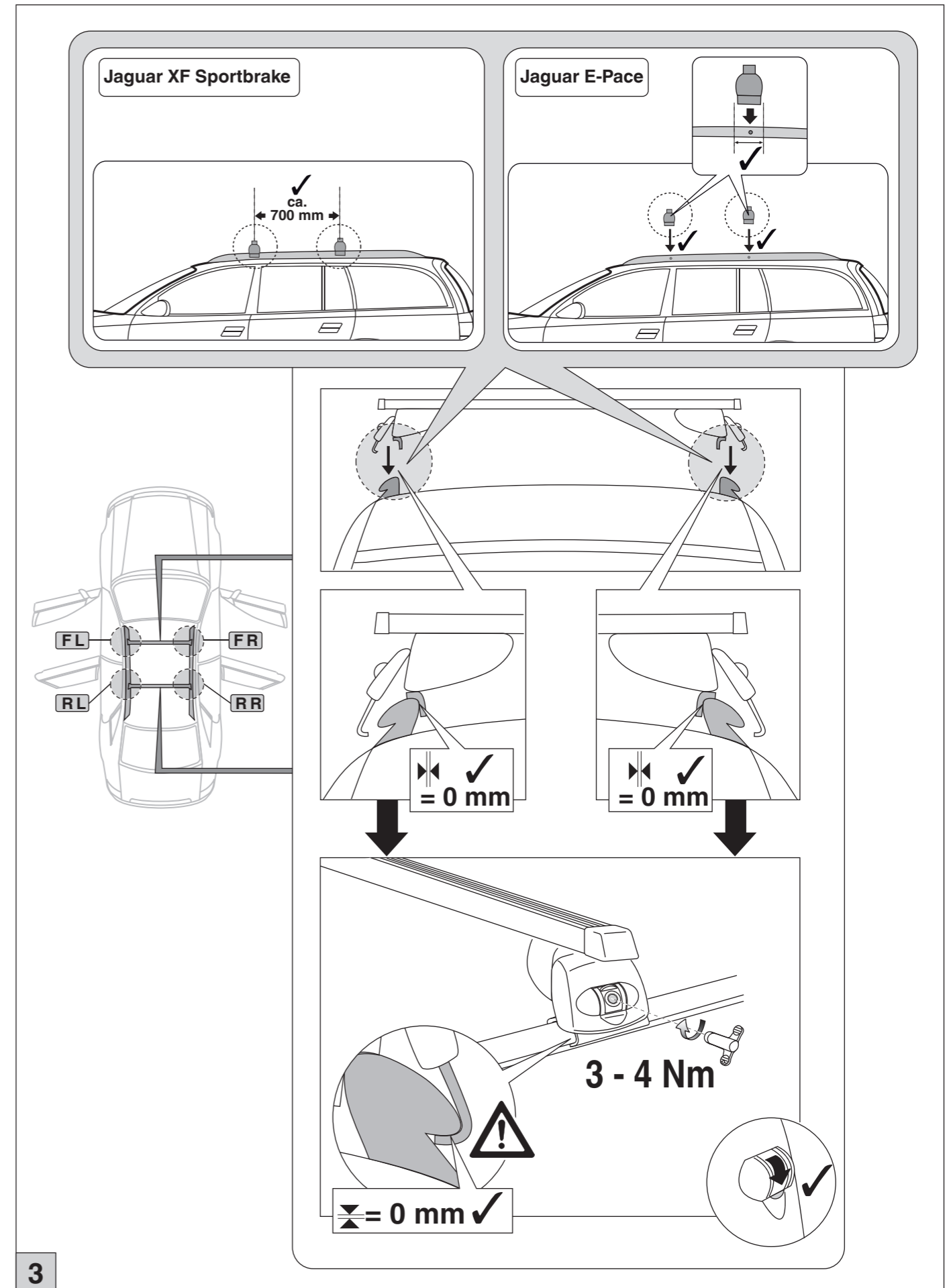
INFO



1



2



3